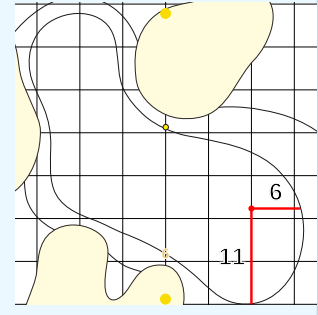




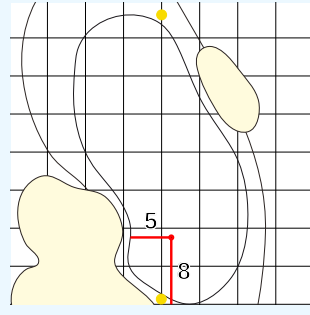
DANGEROUS SITUATION (Suspension Signal)
One Prolonged Horn Blast
NON-DANGEROUS SITUATION (Suspension Signal)
Several Short Intermittent Horn Blasts
RESUMPTION Signal
Two Prolonged Horn Blasts

Hassan II Golf Trophy 2026
OFFICIAL APPROVED HOLE LOCATION SHEET 2026

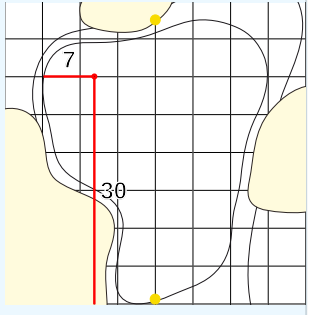
Royal Golf Dar Es Salam
Friday May 22, 2026
Round 2



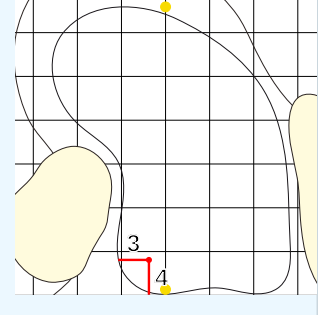
Hole 13
Depth 33



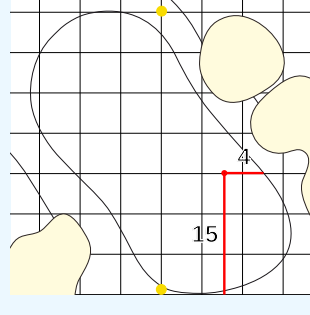
Hole 7
Depth 36



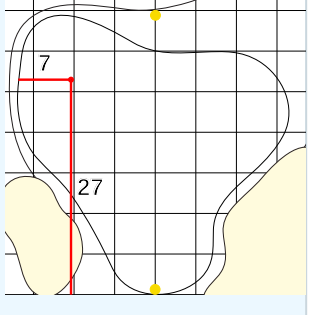
Hole 1
Depth 37



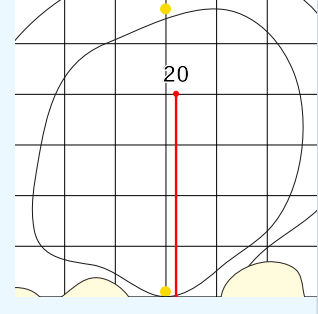
Hole 14
Depth 34



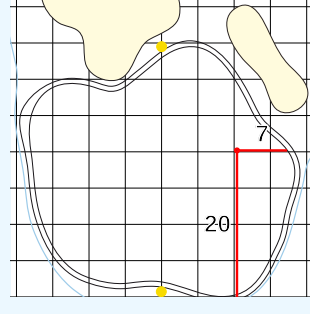
Hole 8
Depth 35



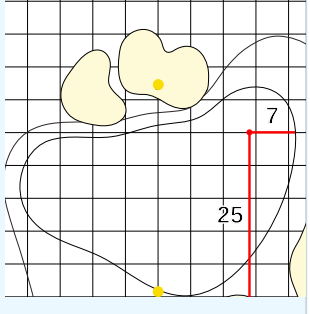
Hole 2
Depth 34



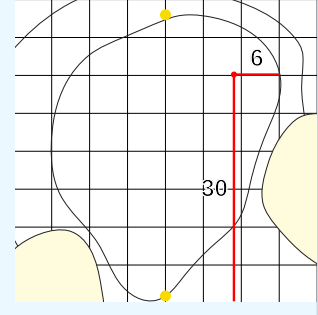
Hole 15
Depth 27



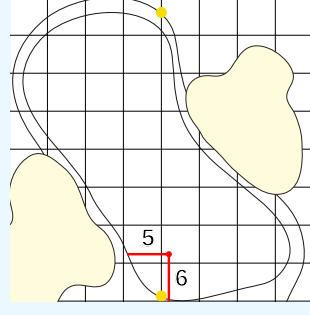
Hole 9
Depth 33



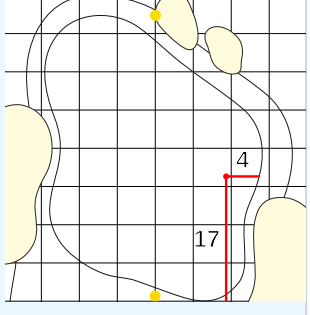
Hole 3
Depth 32



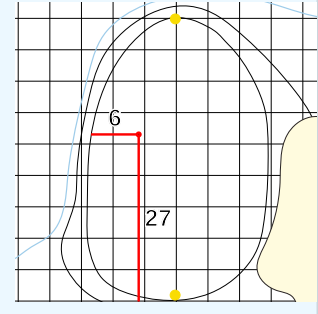
Hole 16
Depth 37



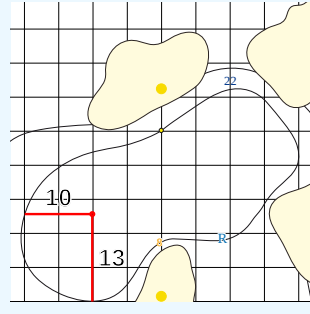
Hole 10
Depth 38



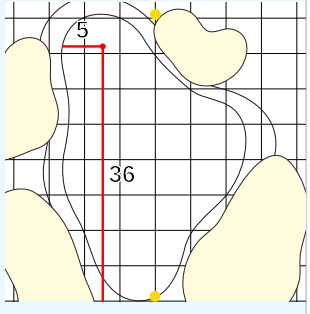
Hole 4
Depth 36



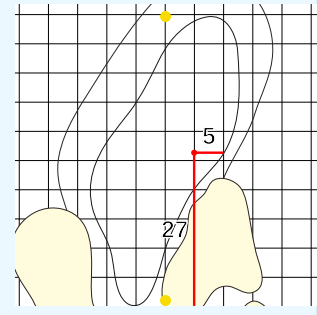
Hole 17
Depth 45



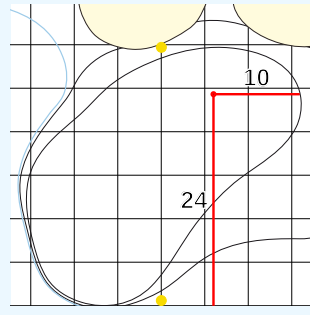
Hole 11
Depth 31



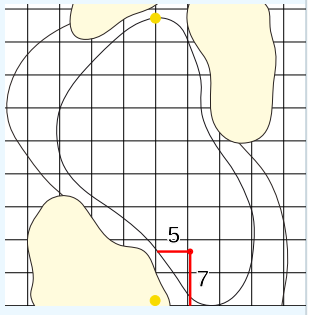
Hole 5
Depth 40



Hole 18
Depth 49



Hole 12
Depth 30



Hole 6
Depth 43